



## Features

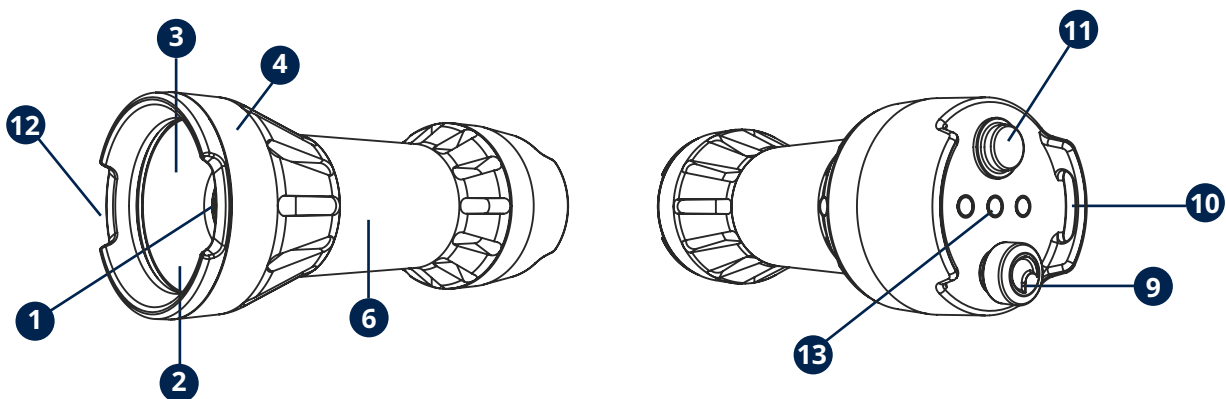
1. Cree MT-G2 Q0 LED, >1800lm output
2. Broad Beam Technology utilising an optimised wide beam reflector
3. AR lens with blue coating in double sides to ensure higher transmission efficiency
4. Copper circuit board with direct thermal path to offer superior thermal dissipation
5. 24K gold circuit connections for optimal conductivity
6. CNC machined from solid aluminum billet
7. Internal 5000mAh battery
8. 7 modes: LOW, MID, HIGH, RACING HEART, DAY, MAX
9. Charging port
10. Tether port
11. Power Button
12. Side vision port
13. Battery capacity indicator

## Technical Parameters

- Output: LOW (>100lm), MID (>600lm), HIGH (>1100lm), MAX (>1800lm)
- Runtime: LOW (>7h), MID (>3h), HIGH (>1h), RACING HEART (>3.5h), DAY (>6h), MAX (>0.5h)
- Distance: >150M
- Size: 46mm(head width) x 33mm(body width) x 122mm(length)
- Weight (excluding battery): 166g
- Waterproof grade: IPX-8

## What's in the box

- INDIGO5
- FAST charger
- Internal 5000mAh battery
- ROADIE or MTB mount
- Tether- for use with the DUALmount (not included) and MTB mount
- Spare o-rings





## Operation

- We sent your INDIGO5 with the tailcap loose to prevent discharge, do it up nice and tight prior to operation.
- To turn on, click the power button on the tailcap.
- Once on, click the button to cycle through modes: LOW-MID-HIGH-RACING HEART-DAY
- Double click the button in any mode to activate MAX mode. Single click again to return to the previous mode
- To turn off, hold the button for 1 second.

## Modes

LOW/MED/HIGH- choose one of these constant 'on' modes to best illuminate the conditions and the speed you are travelling.

RACING HEART- perfect for riding in built up areas with street lighting and traffic, the low constant beam illuminates your way and the flash alerts other road users of your presence.

DAY- as the name suggests, day mode is best for daylight rides. It is also a powerful beacon when riding in daylight foggy conditions.

MAX- when you just need as much light as possible.

## Battery capacity indicator- internal battery only

Blue (green on original version) light on: 100% - 51%

Yellow light on: 50% -11%

Red light blinks: 10% - 0%

NOTE: Our power indicator should be used as a guide only, particularly in MAX and DAY modes

## FAST charger

- The FAST charger indicator light will glow red whilst charging.
- When plugged into the INDIGO5 port, charging time is approx 5 hours
- To charge a BOOSTER battery, connect the fast charger using the female to female adapter.
- Charging time for BOOSTER battery small is 5 hours.
- Charging time for BOOSTER battery large is 12 hours.
- Once the light turns green, charge for an additional hour. This extra charging is not necessary but will increase the life of the batteries.

## BATTERY charger

- The BATTERY charger indicator light will glow red whilst charging.
- Charging time is around 7 hours.
- Once the light turns green, charge for an additional hour. This extra charging is not necessary but will increase the life of the batteries.

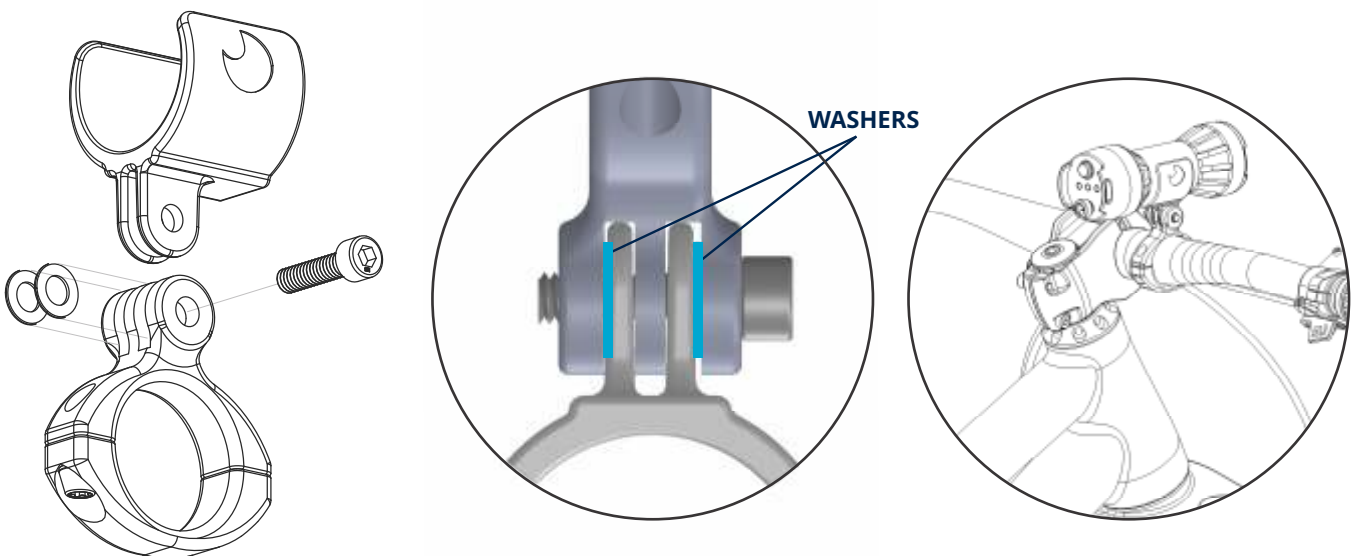


### BOOSTER battery

- Only use BOOSTER batteries when internal battery is fully charged. The runtime will be longer and it is beneficial to battery performance.
- Do not use the BOOSTER battery when the internal battery is fully discharged. It will shorten the battery service time and affect battery performance.
- When not in use, store batteries fully charged.
- Disconnect the BOOSTER battery from the INDIGO5 when not in use. Store the fully charged BOOSTER battery in cool, dry and ventilated areas.
- BOOSTER battery small Runtime (with fully charged internal battery)  
LOW (>12.5h), MED (>5.5h), HIGH (>1.8h), RACING HEART (>6.3h), DAY (>10.8h), MAX (>0.9h)
- BOOSTER battery large Runtime (with fully charged internal battery)  
LOW (>25.2h), MED (>10.8h), HIGH (>3.6h), RACING HEART (>12.6h), DAY (>21.6h), MAX (>1.8h)
- Note, after 30mins in MAX mode, the INDIGO5 will automatically switch to HIGH mode in order to prevent overheating.
- CAUTION, INDIGO5 can get hot, especially in MAX mode so take care when handling
- Do not use MAX mode when ambient temperature is high >30°C
- Never use MAX stationary for extended periods: 5mins max
- Do not use in HIGH or MAX mode when traveling at low velocity <10km/h
- When in MAX mode, the battery will cut out when INDIGO5 is too hot. Do not activate MAX mode again until the light has cooled otherwise the battery or circuit board will be permanently damaged

### MTB Mount

- Please ensure the supplied washers are installed when assembling the MTB Mount
- Attach the MTB mount so that the INDIGO5 is on top of the handle bars
- Use tether for extreme conditions and to prevent loss in the event of a stack- ensure the tether is wrapped sufficiently around the bars so that it is impossible for the tether/INDIGO5 to drop into the wheel



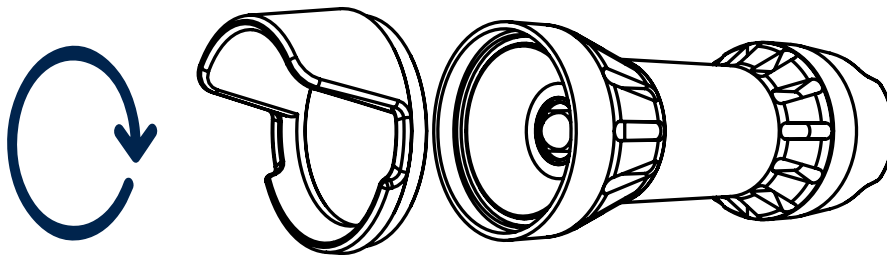


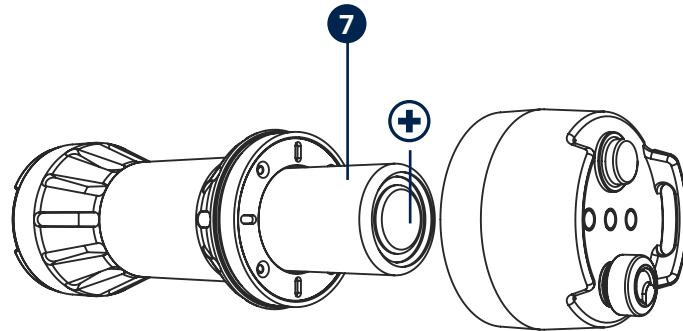
## GENERAL USE

- Switch to low mode when the red power indicator blinks.
- INDIGO5 can be used in harsh condition such as torrential rain, thick fog, etc.. but is not suitable for water immersion.
- INDIGO5 is a extremely high-intensity lighting device and capable of causing eye damage. Avoid shining the light directly into eyes.
- Keep out of reach from children.
- Keep cooling fins clean and free of mud and obstruction.
- Allow lights to cool prior to storing.
- Never leave lights unattended when on.
- Ensure batteries cannot short when not installed in the light.
- Disconnect charger from the mains when not in use.
- ONLY use INDIGO parts and batteries.
- Batteries can get warm whilst charging (40°C).
- Never leave batteries unattended when charging.
- Our batteries can be cycled approximately 300-400 times and/or 2 years before noticeable loss in capacity.
- Ensure batteries are fully charged before storing in a cool dry environment.
- VERY IMPORTANT, ensure batteries are inserted correctly and pole orientation is correct. - Damage to battery and light may result if incorrectly installed. Batteries inserted incorrectly voids warranty.
- Dispose of batteries appropriately.
- Keep lights and battery away from heat sources, fire and combustible materials.
- BEWARE, lithium ion batteries are VOLATILE and can explode or catch fire.

## Antiglare Bezel

Take care when fitting the Anti-glare Bezel to not dislodge the o-ring seal. Keep thread and o-ring clean and lubricated with silicon grease.





## MAINTENANCE

- Pay special attention when inserting battery---Positive side towards Tail cap.
- Take care when screwing the tail cap on or off when accessing the internal battery to not dislodge the o ring seal. Keep thread and o-ring lubricated with silicon grease and kept clean.
- When not in use, please take out the battery and store fully charged in cool, dry and well-ventilated areas. Recharge the battery if it has not been used for an extended period of time.
- INDIGO5 uses a coated lens. Please clean the lens with a soft cloth.
- Clean threads and conductive surface between body and tail. Apply silicon grease on threads and o-rings.
- For safety, the battery is not shipped in a fully-charged condition. Please charge it before first use.

## TROUBLESHOOTING

If you are having trouble turning the INDIGO5 on, please check the following:

1. The Tailcap is on nice and tight.
2. The battery is charged and is in the correct orientation- positive at the tailcap end.
3. The Power button is not dislodged- NOTE, only for INDIGO5, this does not apply to INDIGO5.01.

